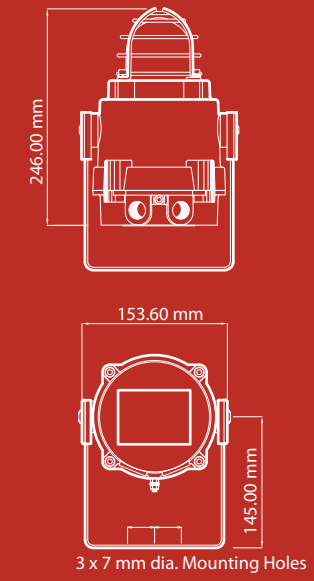


BExBG21 Xenon Beacon

The flameproof BExBG21 Xenon beacons are suitable for Zone 1, 2, 21 & 22 applications.

The BExBG21 21 Joule beacons are ideal for general signalling duties whilst their robust construction makes installation in the harshest of environments possible. The BExBG21 has three distinct user selectable flash patterns and for units with DC operating voltages a second stage flash pattern can be selected remotely. Additional features include a stainless steel guard and stainless steel mounting bracket as standard.

The BEx range features enclosures manufactured from corrosion proof, marine grade copper free LM6 aluminium which is phosphated and powder coated. All models have two M20 cable entries, large termination areas containing in & out terminals and an ingress protection of IP66/67.



Assemblies:

The products from the BEx range are available as multiple unit assemblies with and without junction boxes. See the BExP data sheet for further info.



Specification:

Energy:	21 Joules
Flash rate:	1Hz, 2Hz & double strike 1Hz
Peak Candela:	110,780 cd
Effective Intensity cd:	485 cd*
Lens colours:	Amber, Blue, Clear, Green, Red & Yellow
Voltages DC:	24vdc; 48vdc
Voltages AC:	115vac; 230vac
Ingress protection:	IP66/67
Housing material:	Marine grade copper free LM6 Aluminium
Housing finish:	Phosphated & powder coated finish - anti-corrosion.
Colour:	RAL3000 Red (others available on request)
Cable entries:	Dual M20 ISO (one stopping plug included)
Terminals:	0.5 to 4.0mm ² cables.
Line monitoring :	Min. 500 Ohm 2w, or 3k3 Ohm 0.5w res. or diode (dc versions).
Tube life :	Emissions are reduced to 70% after 8 million flashes
Weight :	DC: 2.65kg AC: 2.95kg

Current consumption:

Version:	Voltage range:	Current:
24V dc	20-28V dc	1.2A
48V dc	42-54V dc	600mA
115V ac	50/60Hz +/-10%	560mA
230V ac	50/60Hz +/-10%	280mA

Flash patterns:

Flash pattern:	Flash type:	Flash description:	2nd stage flash (DC units only)
SF	Single flash - 1Hz	Both flash tubes operate together	AF
AF	Alternate flash - 2Hz	Tubes flash alternately - 0.5sec gap.	SF
DF	Double strike flash - 1Hz	First tube flash followed by second tube	SF

Effective Candela lens colour factor:

Amber	Blue	Clear	Green	Red	Yellow
0.51	0.12	1.00	0.49	0.15	0.86

*All candela data is representative of performance with clear lens at optimum voltage.

Part codes:

Part Code:	Classification:
BExBG21D**	ATEX / IECEx: II 2G Ex d IIC T4 Ta. -50°C to +55°C II 2G Ex d IIC T3 Ta. -50°C to +70°C II 2D Ex tD A21 IP67 T200 based on a max. Ta. of 70°C

** = Voltage & lens colour reference:

Voltage options:	24DC, 48DC, 115AC, 230AC
Lens colour options:	-AM (Amber) -BL (Blue) -CL (Clear) -GN (Green) -RD (Red) -YW (Yellow)

e.g. BExBG21D115AC-AM

Features:

- Xenon tubes mechanically secured against shock & vibration
- Glass lens & Stainless Steel guard
- Very large termination area.
- Ratchet adjustable stainless steel 'U' bracket.

Approvals:

- ATEX certificate: KEMA OATEX2006, EN 60079-0 : 2006, EN 60079-1 : 2007, EN 61241-0 : 2006, EN 61241-1 : 2004
- IECEx certificate: IECEx KEM 10.0002, IEC 60079-0 : 2004 (Ed4), IEC 60079-1 : 2007 (Ed6), IEC 61241-0 : 2004 (Ed1), IEC 61241-1 : 2004 (Ed1)
- Inmetro certificate: 10-IEEx-0010

