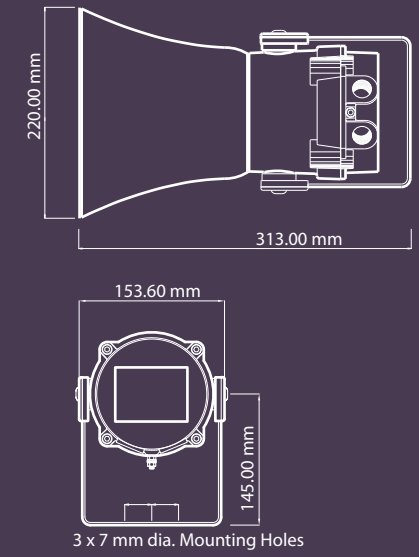


# BExH120 & BExDH120

## Zone 1, 2, 21 & 22 'Hootronic' Siren

The flameproof BExH120 'Hootronic' Siren is suitable for Zone 1 & 2 applications. The BExH120D authentically reproduces the traditional sounds of electro-mechanical devices whilst providing a significantly higher level of performance and reliability. The BExDH120 variant is also suitable for Zone 21 & 22.

Sound level outputs are up to 117.5dB(A) at 1 metre with a choice of 5 alarm sounds combining the signalling power of multiple electro-mechanical products in one unit. 1. Industrial Hooter / 2. High Frequency Mechanical Siren / 3. Medium Frequency Mechanical Siren / 4. Electro Mechanical Buzzer / 5. Mechanical Bell



**Specification:**

Nominal output:	117.5dB(A) @ 1m +/- 3dB - Tone 4.
No. of tones:	5
No. of stages:	3
Volume control:	Yes
Effective range:	200m @ 1KHz
Voltages DC:	24vdc
Voltages AC:	115vac; 230vac
Stage switching:	Negative
Ingress protection:	IP66/67
Housing material:	Marine grade copper free LM6 Aluminium
Housing finish:	Phosphated & powder coated finish - anti-corrosion
Colour:	RAL3000 Red or RAL7038 Grey (others available on request)
BExH120 flare:	High impact UL94 V0 & 5VA FR ABS
BExDH120 flare:	Anti-Static High impact ABS (Black)
Cable entries:	Dual M20 ISO (one stopping plug included)
Terminals:	0.5 to 4.0mm <sup>2</sup> cables.
Weight :	DC: 3.20kg AC: 3.40kg

**Current consumption:**

Voltage:	Max. I/P Volts:	Current:
24V dc	30V dc	400mA
115V ac	50/60Hz	126.5V ac
230V ac	50/60Hz	253V ac

Stage 1	Frequency Description	dB @ 1m*	Stage 2	Stage 3
Tone 1	Industrial Hooter 470Hz	109dB(A) @ 1m	Tone 3	Tone 5
Tone 2	High Frequency Mechanical Siren 1.7KHz	112dB(A) @ 1m	Tone 1	Tone 5
Tone 3	Medium Frequency Mechanical Siren 1KHz	115.5dB(A) @ 1m	Tone 1	Tone 5
Tone 4	Electro Mechanical Buzzer 450Hz	117.5dB(A) @ 1m	Tone 2	Tone 5
Tone 5	Mechanical Bell	106dB(A) @ 1m	Tone 1	Tone 2

\*SPL data +/-3dB(A). Measured at optimum voltage.



**Assemblies:**  
The products from the BEx range are available as multiple unit assemblies with and without junction boxes. See the BExP data sheet for further info.

**Part codes:**

Part code:	Classification:
BExH120**-G Grey Housing & horn	ATEX / iECEx: II 2G Ex d IIB T4 Ta. -50 to +70°C II 2G Ex d IIC T4 Ta. -50 to +55°C
BExH120**-R Red Housing & Horn	ATEX / iECEx: II 2G Ex d IIB T4 Ta. -50 to +70°C II 2G Ex d IIC T4 Ta. -50 to +55°C
BExDH120**-G Grey Housing & Black Horn	ATEX / iECEx: II 2G Ex d IIB T4 Ta. -50° to +70°C II 2G Ex d IIC T4 Ta. -50° to +55°C II 2D Ex tD A21 IP67 T115 based on a max. Ta. of 70°C
BExDH120**-R Red Housing & Black Horn	ATEX / iECEx: II 2G Ex d IIB T4 Ta. -50° to +70°C II 2G Ex d IIC T4 Ta. -50° to +55°C II 2D Ex tD A21 IP67 T115 based on a max. Ta. of 70°C

\*\* = Voltage reference:

Options:	24DC, 115AC, 230AC
----------	--------------------

- Features:**
- Very large termination area.
  - Ratchet adjustable stainless steel 'U' bracket.
- Approvals:**
- ATEX certificate: KEMA 00ATEX6312, EN 60079-0 : 2006, EN 60079-1 : 2007, EN 61241-0 : 2006, EN 61241-1 : 2004
  - IECEx certificate: IECEx KEM 10.0003, IEC 60079-0 : 2004 (Ed4), IEC 60079-1 : 2007 (Ed6), IEC 61241-0 : 2004 (Ed1), IEC 61241-1 : 2004 (Ed1)
  - Safety-integrity suitability: SIL1
  - Inmetro certificate: 10-IEEx-0009

